



Big Air Pylons, Inc.
5215 Robert Lee Rd.
Duncan, Oklahoma 73533
e-mail: info@bigairwaketowers.com

For additional information
Call: (580) 252-5314
Fax: (580) 470-8231
Visit our web site: <http://www.bigairwaketowers.com>

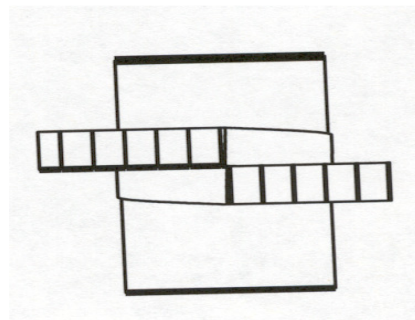
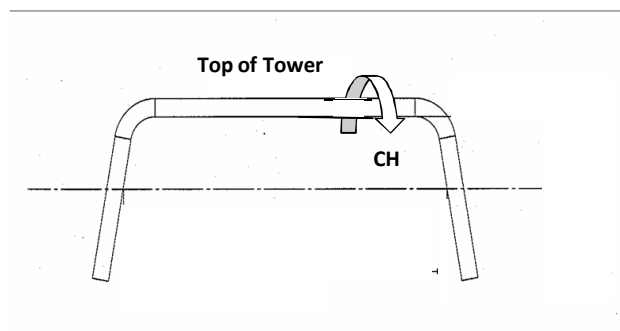
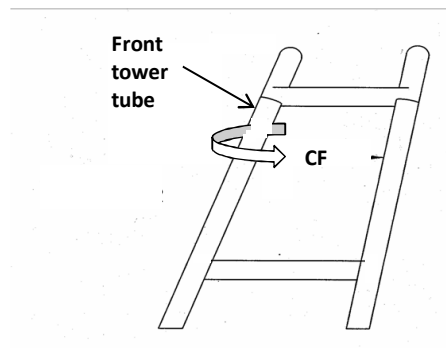
Installation of Big Air Super Shadow Bimini

Bimini Top installation consists of three steps:

- (1) Assembly of the tubing frame
- (2) Attaching frame to the tower
- (3) Installing the fabric top
- (4) Tow head grommet installation

When you ordered your Super Shadow bimini top, you provided specific dimensions concerning your tower. These dimensions (CH and CF) determine the size and number of tubing clamps for your bimini top.

"CH" and "CF" are the circumference of the tower tubes, where CH applies to the "H" member on the tower top and CF is the front tower tube circumference (or $3.14159 \times$ tube diameter).



"CH" and "CF" Measurement